

MAKING POS EASY

EMERSON'10[®]
THE POINT OF SALES FACTORY



www.emersonten.com



QUALITY, FUNCTIONALITY AND RELIABILITY

Our products are sold under the Brand, Eazzy because our totems and displays are just what the brand says: easy to produce and easy logistic with its flat packaging. We have thought about the whole chain – the working environment for our employees in production, reduce shipping and environmental impact with flat packaging and most importantly: that our clients can easily mount

the displays without tools or complicated assembly instructions - in just seconds.

We want to increase our customer's sales with easy and representative store communication!



IN-HOUSE DESIGN

We work with the latest in advanced 3D technology to make visuals and designs for sales material and displays. The visuals can help you present the marketing material before it has even been produced.

With our in-house CAD system and digital print facility we are able to quickly build prototypes to develop bespoke solutions for all your displays needs.





AUTOMATIC TOTEMS



Our standard range includes more than 50 different models and sizes (which are all brochure quality), printed in offset or digitally in smaller amounts and low cost cardboard displays. These totems all fold flat to save storage space and distribution costs and deploys automatically. Eazzy Totems are supplied in elliptical, square, rectangular and square totem shape formats. For those who prefer quality, functionality and fast reliable deliveries.



5

EAZZY ALARM COVERS



Make your product visible in the entrance by using eazy alarm covers. It's a cheap and very effective advertising messenger.

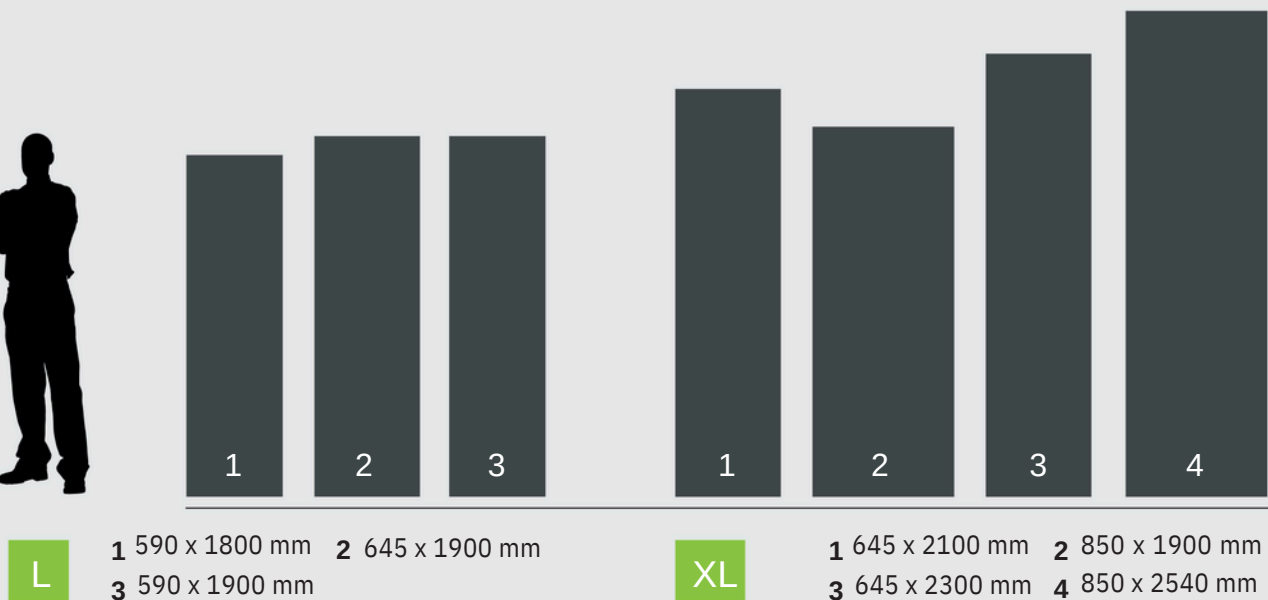
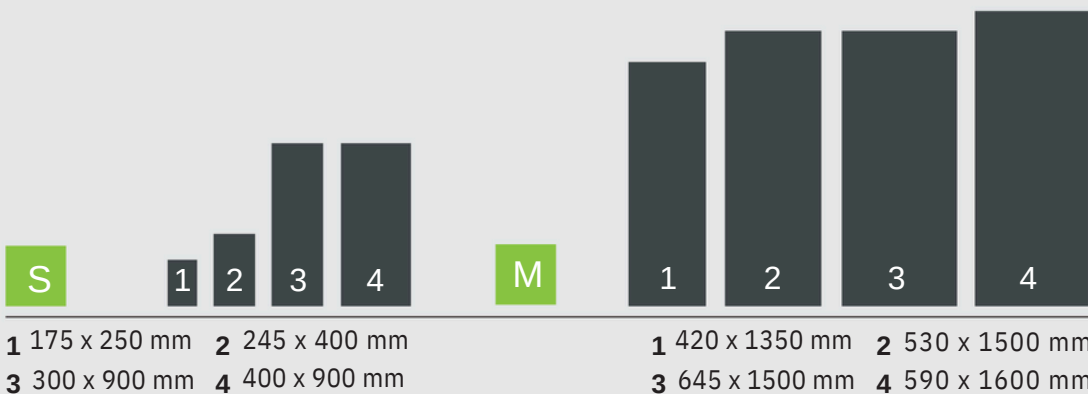
The alarm covers will increase your sales!

EAZZY PREMIUM



Our most sold totem. Digital or offset printed and always with glossy laminate/matte laminate that will both protect the surface and keep the shape of the totem during your campaign. The totems are always unit packed in PE plastic but you can also choose packaging in a corrugated cardboard box.

6

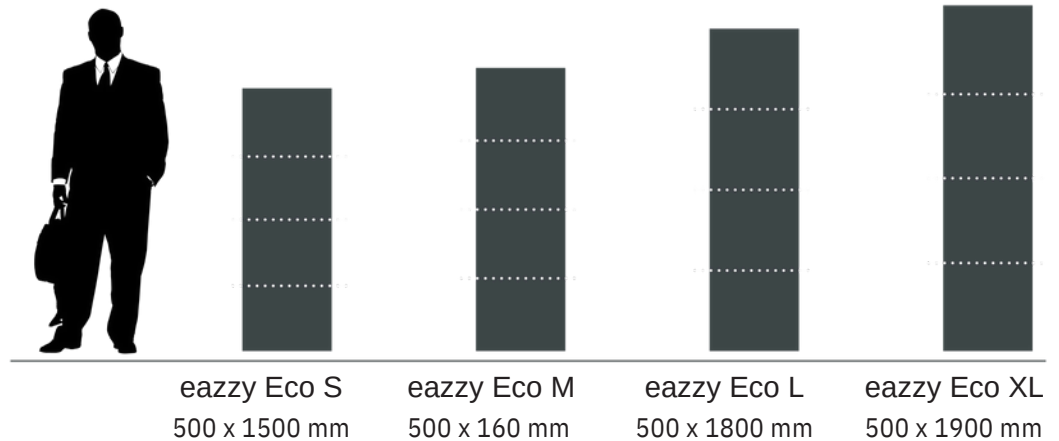




EAZZY ECO SERIES



A simpler, cheaper and even more environmentally friendly solution because of the 100% recycled cardboard. There's no laminate or unit package - just bulk packed into a cardboard box. A very cost friendly alternative, especially in large editions!





EAZZY SHAPE



Customize your totem with a special cut of the top. It will increase the visible value of just your product in the store.



9

EAZZY ADD-ON



You can make any shape you want of the totem with side extensions. You can have these extensions on one side or even on both sides of totem.



EAZZY WALL

You will have a big area for communication with your client with the Eazzy wall which has more than 3 square meter printing area per side. This big wall is delivered in a small package (just as the totems) and you can easily set it up and fold down after use. A perfect product in shopping malls, showrooms, supermarkets and exhibitions.

3 standard sizes:
3x (645 x 1500) 3x
(645 x 2100) 3x
(590 x 1800)



EAZZY BIN

A totem with a bin in front of it - designed for mass exposure of the product or maybe a giveaway to client?
2 standard sizes:

1540 x 460 x 400

1900 x 490 x 345

EAZZY TABLE

A simple table that you can use for product presentations in store. It's perfect together with an Eazzy Wall. Podium height: 645 x 990 Table top size: 780 x 440



EAZZY STAGE & WITH SHELF



Featuring your product on an Eazzy Stage!

Present your product in the middle of the totem. We have totems with 1, 2 or 3 shelves!



EAZZY ACCESSORIES

Eazzy floorpanel



For sizes:

200 x 420
300 x 530
400 x 590

400 x 645
645 x 850

Eazzy transparent brochure holders



You can have one or more on each totem.

Sizes: A6, A5, A4 or E65

Eazzy printed brochure holders



You can have one or more on each totem.

Sizes: A6, A5, A4 or E65



EAZZY SHOP IN SHOP

Build your own “Shop in Shop” in the store with eazzy. Totems can be supplied in a square or elliptical shape and we’re using extra strong cardboard to achieve the best quality and stability.

Formats:

- 590 x 1800
- 590 x 1900
- 645 x 1900
- 645 x 2100
- 645 x 2300



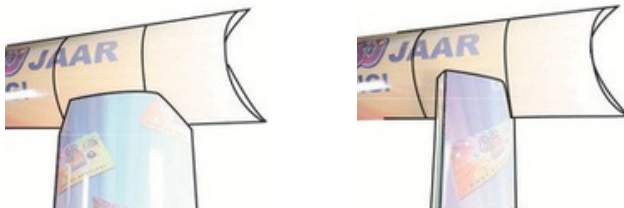


EAZZY PORTAL

TOP PART

Increase your sales with mass exposure and visibility with portals from eazzy.

Two different ways to assemble.



The horizontal part of the portal or Shop in shop, but it can also be used as a hanging sign from the roof.

Standard formats:

1100 x 500	2240 x 500
1540 x 500	2460 x 500
1740 x 500	2940 x 500
1900 x 500	



EAZZY FLATPACK DISPLAY



The strongest corrugated cardboard display solution on the market. Each shelf can withstand more than 15 kg. Delivered flat in a single pack and they are really easy to mount.



EAZZY FLATPACK DISPLAY



Each Flatpack display is customized to your product. It can have up to 6 shelves, hooks on the back wall or a combination of both - just for your need. You can mount and pack the display in a warehouse with a transport cap and distribute it to the shop.



Modushelf & Product displays



All displays are printed in a large format digital industrial printer (160 x 320 cm) directly on the corrugated cardboard and cut in our modern CAD machine. You will avoid big start costs because of this and we can therefore offer you a cost-effective display for a very short delivery time.



FLOOR DISPLAY



Design and function are very important when we develop your display. Our digital print gives you the opportunity to print different editions on every single display with a cost-effective price. For example: different season campaigns, such as Christmas and Easter.



CUBES

1 för 22:-
2 för 35:-
3 för 45:-



Decorative cubes in different formats. Mostly used in shop windows or in the store. We can print these on 400 gr cardboard with glossy laminate or digitally directly on miniwell.



21

STANDEES

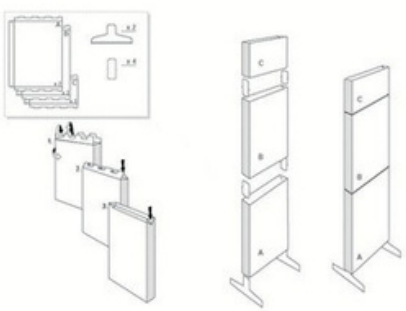


We print these standees digitally directly on a high quality corrugated cardboard with a strong support on the backside which makes the standees stand firmly during the whole campaign. For logistic purpose we fold them in the middle.

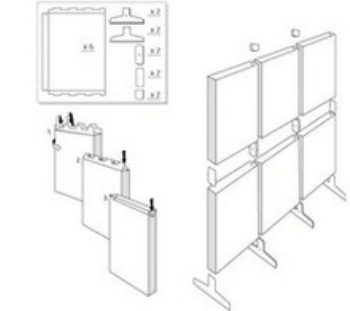


BOXDISPLAY

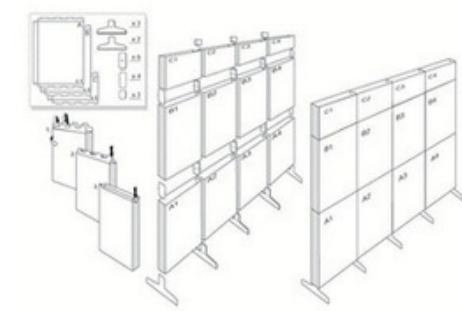
Tower



Wall 3x2



Wall 4x3

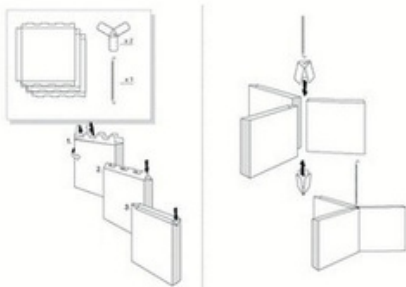


Eazy Boxdisplays offer you a broad range of easy, affordable and lightweight solutions for displaying your brand. With our unique box design, you can build walls, towers, counter-top displays, hanging mobiles... with no tools or special skills needed.

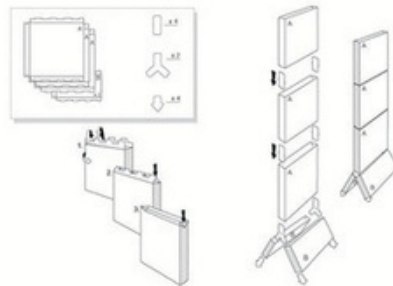


BOXDISPLAY

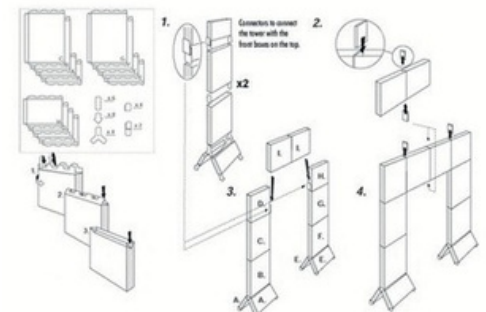
Mobile



Classic



Bridge



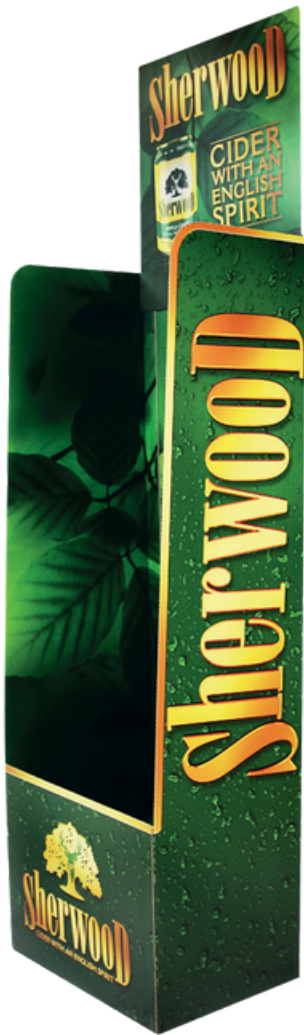
Boxdisplays are a snap to assemble. Just pop open each section. It's easy and fast to create towers, walls, mobiles, etc... In minutes your BOXDISPLAY P-O-P display is up. And it is both lightweight and sturdy, so it can be easily moved for cleaning.



PACKAGING



Packaging design to make your product to stand out at the moment at purchase!



PALLET DISPLAYS

Pallet displays are easy to move and immediately ready for use. They are made of light yet durable corrugated cardboard. All display surfaces can be printed on and the visual impact can be enhanced with a variety of structural solutions and die-cut background advertisements.



DISPLAY ON ROLL



We print pallet wraps in different lengths and heights digitally.



ON DEMAND

Why tie up your important marketing capital in outdated cardboard displays when you can buy fresh ones on demand just for your campaign? By using our dedicated digital department, you won't lose money in your warehouse with displays that you need to throw away because of moisture damage or with outdated displays (when your product designs change).

You can order the exact quantity of the P.O.S products from our digital department and you will save a lot of marketing money by signing a year contract with us. The only information we need is the year volume and after that we will give you a fixed price. You can now order on demand during the year, without any price surprises. Contact us for more information!

MAKING POS EASY

EMERSON'10[®]
THE POINT OF SALES FACTORY



Andy Dearman

Official representation: UK

Andy.dearman@emersonten.com

+44 (0) 7930 916860

www.emersonten.com

www.emersonten.com